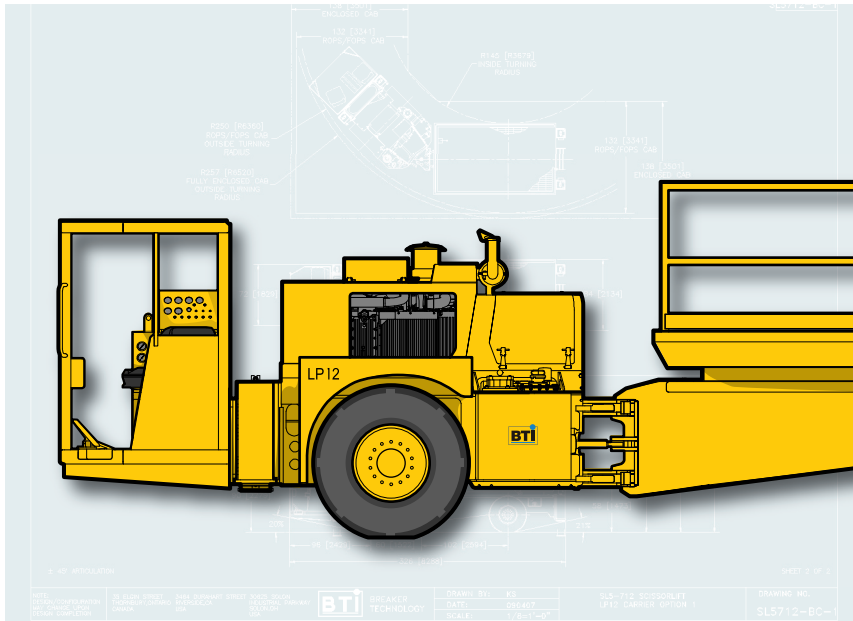


SL SERIES - LP12

Scissorlift Vehicle



AT A GLANCE

Weights & Dimensions:

Operating Weight 31,000 lbs (14,091 kg)	Overall Trimming Length 27'-2" (8.29 m)	Overall Width 7'-0" (2.13 m)
Trimming Height 8'-4" (2.54 m)	Carrier Articulation +/- 45°	Inside Turning Radius 12'-1" (3.68 m)
Outside Turning Radius 21'-5" (6.52 m)		

Note: weights & dimensions are nominal and vary depending on final engine, operator's enclosure & option configuration.

Engine Configurations:

● Standard ▲ Optional

- Deutz BF4M1013C ▲ Caterpillar C4.4 ACERT
- 122 hp (91 kW) @ 2300 rpm 127 hp (95 kW) @ 2200 rpm
- MSHA/Tier II Tier III

Scissor Deck

7'-0" x 12'-0" (2.13 m x 3.66 m)

Load Capacity

5,000 lb (2,273 kg)
at 12'-0" (3.66 m) Lift Floor Height

Dual Safety Lock Hydraulic Cylinders

Handrails - 42" (1.1 m)

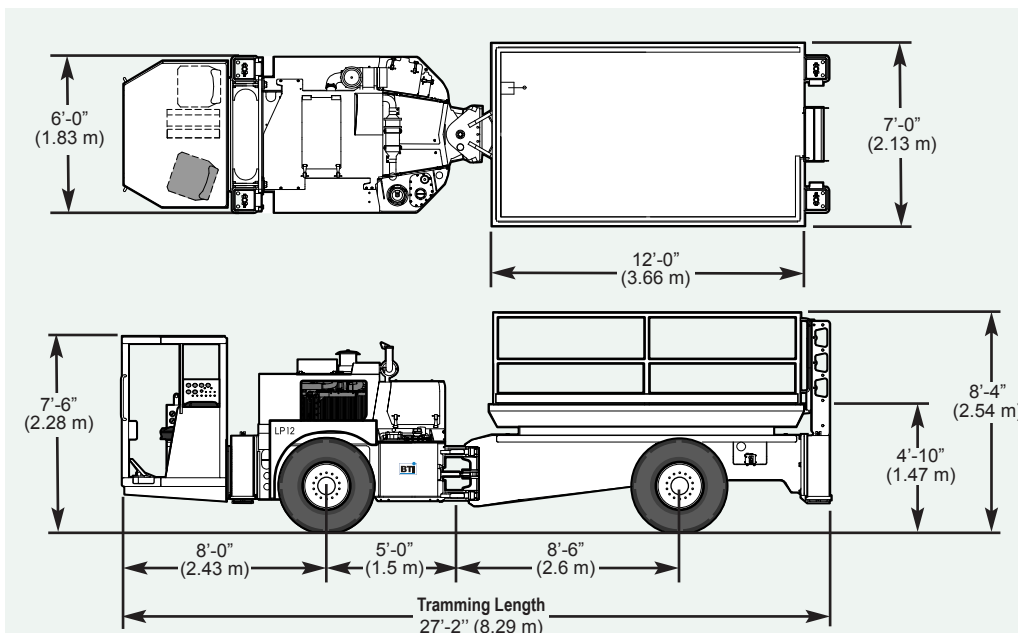
FEATURES & BENEFITS

High speed / high mobility underground scissorlift vehicle.

+/-45° vehicle articulation for tight turning radius.

Close coupled engine/transverter provides a short turning radius and excellent weight distribution.

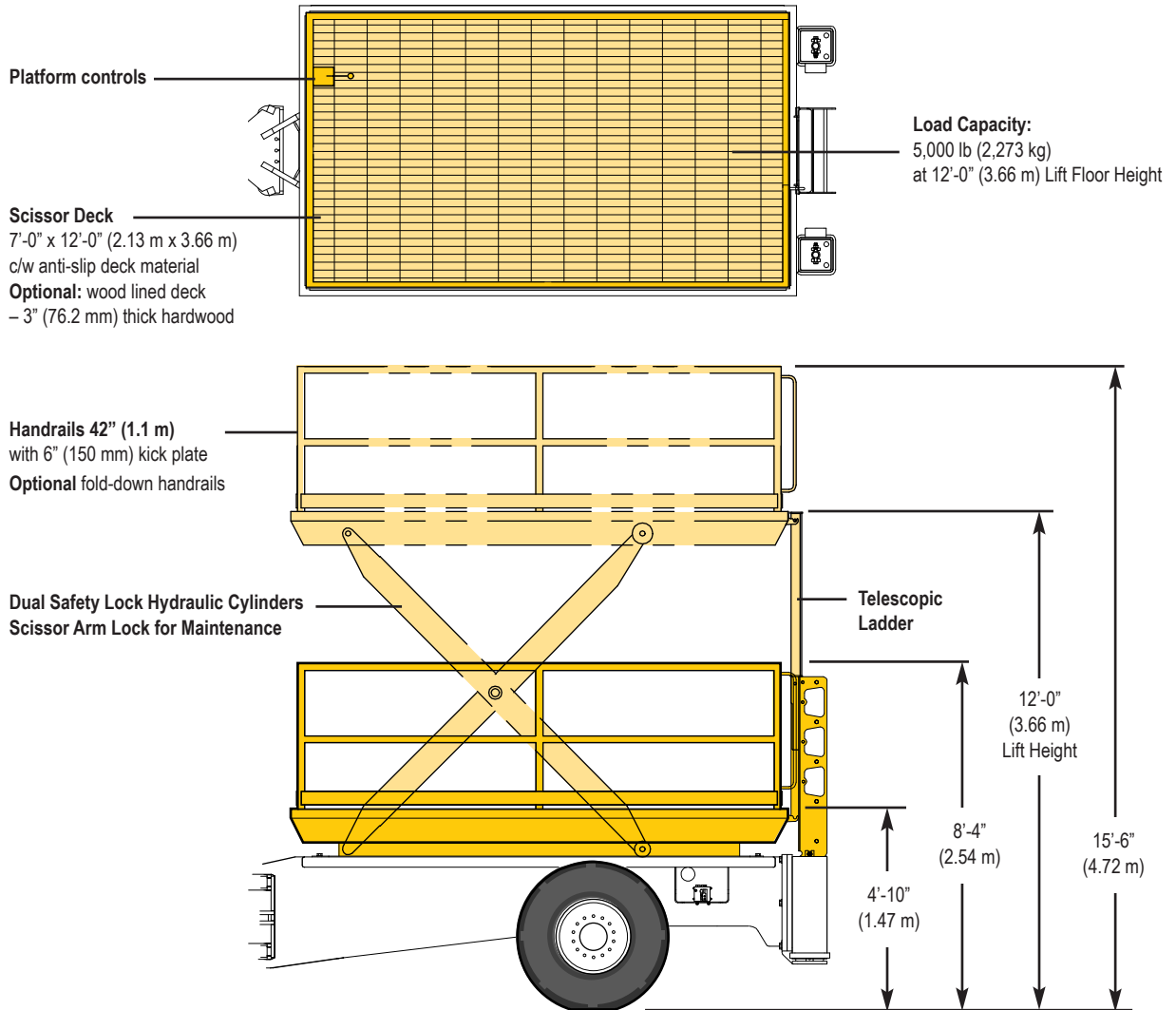
Operator's compartment provides comfort and visibility for operator and passenger.



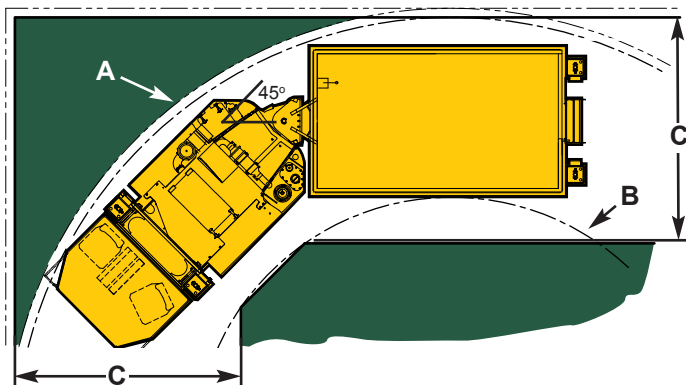
OPTIONS

- Protective operator structure
- Seating configurations
- Air intake system
- Exhaust system
- Hydraulic filling system
- Tires
- Fire suppression system
- Wheel chocks
- Manual lube
- Power pack
- Stabilizer jacks
- Air and water manifold
- Air/hydraulic power pack
- Telescopic work lights
- Drill steel rack
- Wood lined deck
- Scissorlift certification
- Fold-down handrails

SL SERIES (LP12) SCISSORLIFT STANDARD COMPONENTS



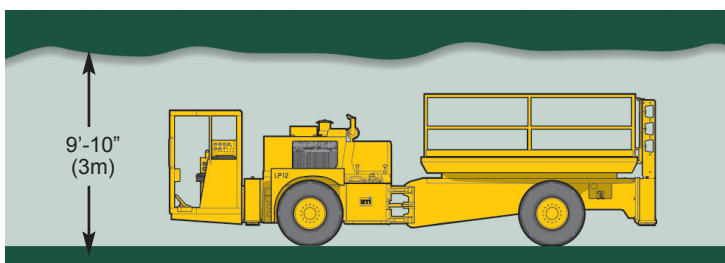
DRIVING SPECIFICATIONS



Turning Radius

Turning radius: +/- 45° articulation

		Fully Enclosed Cab	Open Air Canopy
A	Outside Turning Radius	21'-5" (6.52 m)	20'-10" (6.36 m)
B	Inside Turning Radius	12'-1" (3.7 m)	
C	Minimum Mine Tunnel Width	11'-6" (3.5 m)	11'-0" (3.34 m)



Recommended Drift Height

BTI recommends a minimum drift height with cab: 9'-10" (3 m)

LP12 CARRIER - COMMON FEATURES

- Standard - common to all engine combinations
- ▲ Optional

Notes:

● CHASSIS

LP12 articulated 4-wheel drive, all welded construction

● ENGINE END OSCILLATION

+/- 8° c/w heavy framed external walking beam

● CARRIER ARTICULATION

+/- 45° by two opposing 4" (100 mm) bore x 2" (50 mm) rod steering cylinders complete with stick steering control

● HYDRAULIC CIRCUIT

30 gallon (114 liter) hydraulic tank
Hydraulic piston pump with load sense control
In-line hydraulic pressure filter / In-line return filter

● ELECTRICAL CIRCUIT

24 VDC start/run 85 amp alternator
Murphy Power Vu instrument cluster for electronic engines

FUEL SYSTEM

- Fuel Tank - 30 gallon (114 liter)

● SCISSORLIFT DECK

7'-0" x 12'-0" (2.13 m x 3.66 m) anti-slip deck material
5,000 lb (2,273 kg) capacity at 12'-0" (3.66 m) lift floor height
c/w a telescopic ladder, a scissor arm lock for maintenance and platform controls

SL (LP12) SCISSORLIFT VEHICLE CONFIGURATIONS

Choose one per group

- Standard
- ▲ Optional

Notes:

POWERTRAIN GROUPS

- Deutz BF4M1013C
- ▲ Caterpillar C4.4 ACERT

OPERATOR SEAT

- Suspension Seat, fixed
- ▲ Air Ride Seat, fixed

PASSENGER SEAT

- No passenger seat
- ▲ Suspension Seat, fixed
- ▲ Air Ride Seat, fixed

PROTECTIVE STRUCTURE

- Air canopy – uncertified, open
- ▲ Open air canopy – ROPS/FOPS certified
- ▲ Enclosed Cab – ROPS/FOPS certified including engine belt drive HVAC heat/air conditioner for engine drive applications

AIR INTAKE SYSTEM

- Air Intake Filter
- ▲ Air Intake Precleaner

SL (LP12) SCISSORLIFT VEHICLE CONFIGURATIONS

Choose one per group

- Standard
- ▲ Optional

Notes:

EXHAUST SYSTEM

- Catalytic exhaust
- ▲ Exhaust Manifold and Turbo Coating
- ▲ Exhaust System Wrap

HYDRAULIC TANK

- Hydraulic Tank - 30 gallon (114 liter)
- ▲ Hydraulic Tank with Fast Fill - 30 gallon (114 liter)

TIRES

- Pneumatic 12:00 x 20; 20 ply mine lug
- ▲ Solid tires: 12:00 x 20
- ▲ Solid tires: 10:00 x 20
- ▲ Foam Filled: 12:00 x 20

FIRE SUPPRESSION SYSTEM

- No fire suppression
- ▲ Fire Extinguisher, 1 x 20 lb (9 kg)
- ▲ Ansul Fire Suppression System
- ▲ Ansul Fire Supression with Auto Detection

WHEEL CHOCKS

- No wheel chocks
- ▲ Aluminum Wheel Chocks

AIR AND WATER MANIFOLD

- No Air and Water Manifold
- ▲ Air and Water Manifold Option
Air and water manifold mounted to scissor deck

TELESCOPIC WORK LIGHTS

- No Telescopic Work Lights
- ▲ Telescopic Work Lights Option
Qty 2 telescopic work lights mounted to scissor deck

DRILL STEEL RACK

- No Drill Steel Rack
- ▲ Drill Steel Rack Option
Steel racks along one side.
Mounted to scissor platform handrails to transport drill steel

MANUAL LUBE SYSTEM

- No Manual Lube System
- ▲ Manual Lube System Option
Strategically placed, easily accessible grease manifolds for lubricating all scissor lift cylinder and pin pivot points

SL (LP12) SCISSORLIFT VEHICLE CONFIGURATIONS

Choose one per group

- Standard
- ▲ Optional

Notes:

AIR/HYDRAULIC POWER PACK

- No Air/hydraulic Power Pack
- ▲ Air/hydraulic Power Pack Option
Air/hydraulic power pack installed on vehicle
c/w remote on/off pilot valve located on scissor deck

STABILIZERS

- No Stabilizers
- ▲ 46 in (1,2 m) Stabilizers
Four tube in tube stabilizers; 2 on engine-end and 2 on scissor platform end of vehicle.

SCISSORLIFT HANDRAIL

- 3'-6" (1.1 m) high solid tubular steel handrails, with 6" (152 mm) steel kickplate at bottom edge
- ▲ 3'-6" (1.1 m) high solid tubular steel handrails, folding at 2'-0" (610 mm), with 6" (152 mm) steel kickplate at bottom edge

SCISSORLIFT CERTIFICATION

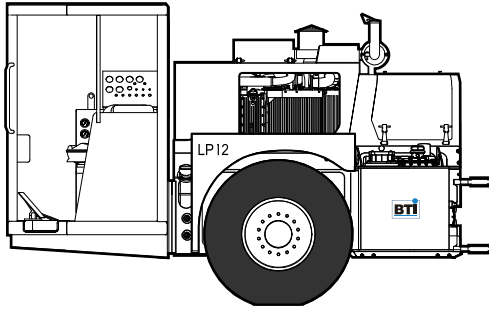
- No scissorlift certification
- ▲ Scissorlift certified to CSA Lifting Standard C225-00 for Vehicle Mounted Aerial Devices

WOOD LINED DECK

- Anti-slip deck material - no wood lining
- ▲ 3" (76.2 mm) thick hardwood deck installed on scissor deck.
Note: this option decreases scissor platform capacity by 1,000 lb (454 kg)

POWERTRAIN GROUP OPTIONS

- Standard ▲ Optional



- **Engine:** Deutz BF4M1013C, four cylinder, turbocharged, intercooled diesel, MSHA Tier II, 122 hp (91kW) @ 2300 rpm c/w fuel filter and water separator

Torque Converter: Clark T20000 series

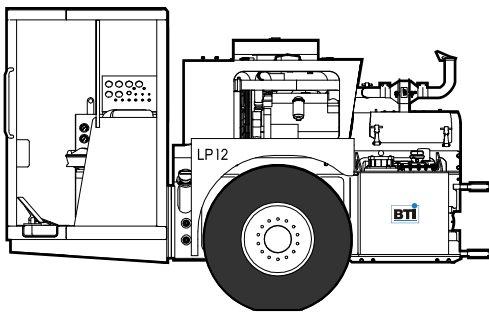
Transmission: Clark 20,000 series, long drop, remote mounted, electric shift
Three forward and three reverse speeds

Vehicle speeds with 12:00 x 20 tires @ 2200 rpm with standard axle ratio:
1st gear: 2.4 mph (3.9 kph) - 2nd gear: 6.2 mph (10.9 kph) - 3rd gear: 11.4 mph (18.3 kph)

Engine end axle: New Holland D65X no spin differential wet disk SAHR emergency brakes, wet disk HASR service brakes, complete with external walking beam, +/- 10 degrees oscillation

Deck end axle: New Holland D65X no spin differential wet disk SAHR emergency brakes, wet disk HASR service brakes

Drivelines: Mechanics 6C



- ▲ **Engine:** Caterpillar C4.4 ACERT electronic four cylinder, turbocharged, intercooled diesel, Tier III, 127 hp (95 kW) @ 2200 rpm c/w fuel filter and water separator.

Torque Converter: Clark T20000 series

Transmission: Clark 20,000 series, long drop, remote mounted, electric shift
Three forward and three reverse speeds

Vehicle speeds with 12:00 x 20 tires @ 2200 rpm with standard axle ratio:
1st gear: 2.4 mph (3.9 kph) - 2nd gear: 6.2 mph (10.9 kph) - 3rd gear: 11.4 mph (18.3 kph)

Engine end axle: New Holland D65X no spin differential wet disk SAHR emergency brakes, wet disk HASR service brakes, complete with external walking beam, +/- 10 degrees oscillation

Deck end axle: New Holland D65X no spin differential wet disk SAHR emergency brakes, wet disk HASR service brakes

Drivelines: Mechanics 6C

AIR INTAKE SYSTEM OPTIONS

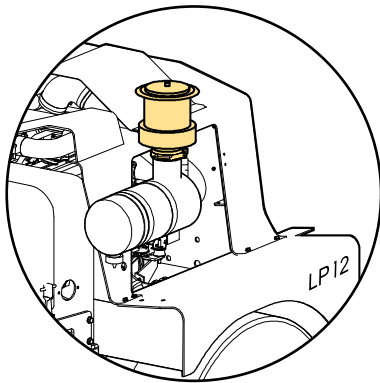
● Air Intake Filter

A dry element filter with safety element and replacement indicator.

▲ Air Intake Precleaner

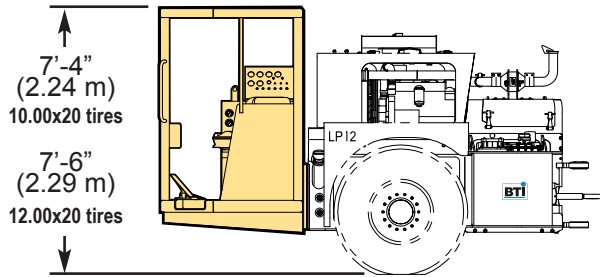
A dry element filter with safety element and replacement indicator, complete with a cyclone Pre-cleaner.

A pre-cleaner extends the life of your air filter by removing dirt and contaminants before they reach the filter and ejecting them automatically via the exhaust.



PROTECTIVE STRUCTURES OPTIONS

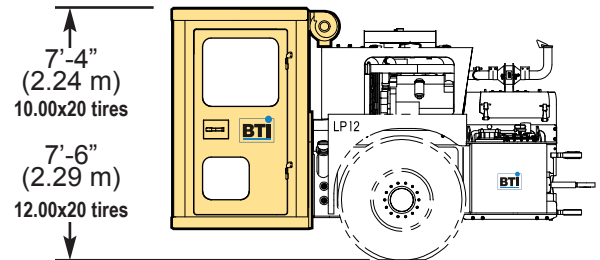
- Standard
- ▲ Optional



● Open Air Canopy – Uncertified

▲ ROPS/FOPS Canopy

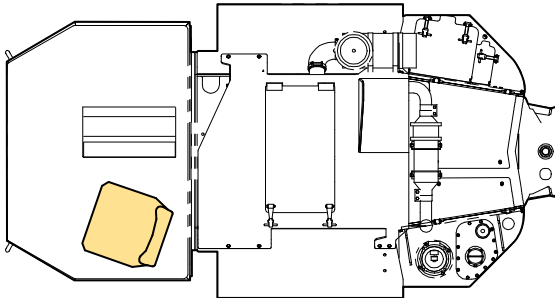
Open air canopy ROPS/FOPS certified



▲ ROPS/FOPS Cab

Full cab; covers operator, controls and passenger. Tested and certified ROPS/FOPS cab. Includes heavy-duty safety glass, wiper/washers, HVAC heat / air conditioning system, air pressurization system.

OPERATOR SEAT OPTIONS



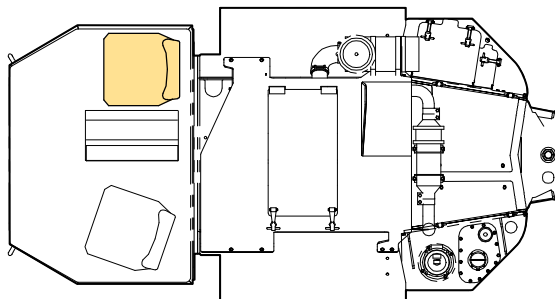
Operator Seat Options

- Suspension Seat, fixed
- ▲ Air Ride Seat, fixed

Mine duty operator seat options available in fixed suspension and fixed air ride variations.

PASSENGER SEAT OPTIONS

● No Passenger Seat



Passenger Seat Options

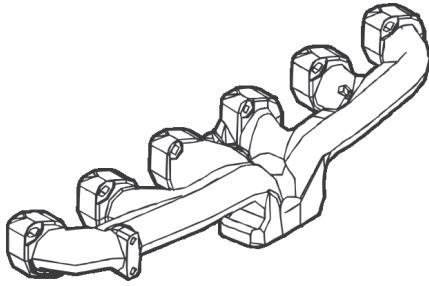
- ▲ Suspension Seat, fixed (facing front)
- ▲ Air Ride Seat, fixed (facing front)

Mine duty passenger seat option available in fixed suspension and fixed air ride variations.

EXHAUST SYSTEM OPTIONS

● Catalytic Exhaust

A catalytic exhaust, purifier/silencer. No exhaust blanket.

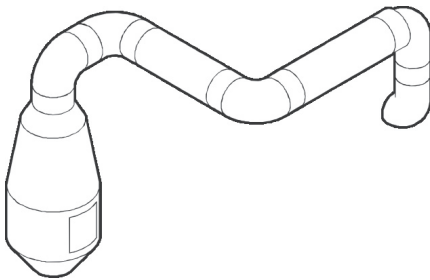


▲ Exhaust Manifold and Turbo Coating

Prevents fluids from igniting on hot engine and exhaust parts. High temperature performance: ideal for engine compartment components requiring long-term exposure to high temperatures.

Non-flammable. Protects personnel from burns.

Lowers ambient temperature; cooler engine compartment, less heat stress on operators and maintenance personnel.



▲ Exhaust System Wrap

Prevents fluids from igniting on exhaust parts. High temperature performance.

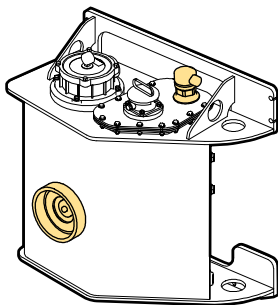
Non-flammable. Protects personnel from burns.

Lowers ambient temperature; cooler engine compartment, less heat stress on operators and maintenance personnel.

HYDRAULIC TANK OPTIONS

● Hydraulic Tank

30 gallon (114 liter) hydraulic tank, top fill, 4 psi pressurized cap.



▲ Hydraulic Tank with Fast Fill

30 gallon (114 liter) hydraulic tank complete with fast filling system. Designed for on-site fast fluid transfer.

TIRE OPTIONS

● Standard ▲ Optional

● Pneumatic Tires

12:00 x 20; 20 ply mine lug pneumatic tires

▲ Solid Tires

12:00 x 20 solid tires

▲ Foam Filled Tires

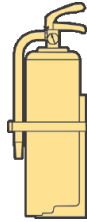
12:00 x 20 foam filled tires

▲ Solid Tires

10:00 x 20 solid tires

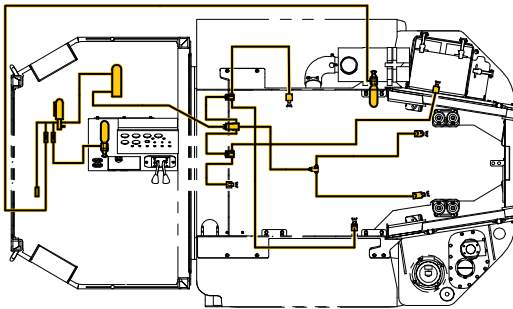
FIRE SUPPRESSION SYSTEM OPTIONS

● No Fire Suppression System



▲ Fire Extinguisher

1 x 20 lb (9 kg) fire extinguisher.



▲ Ansul Fire Suppression

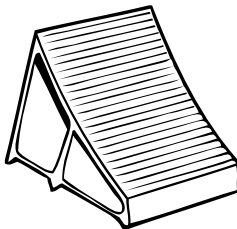
Ansul fire suppression system, 6 nozzle, complete with 2 actuators. Complete with 20 lb (9 kg) fire extinguisher.

▲ Ansul Fire Suppression with Detection

Ansul fire suppression system, 6 nozzle, complete with 2 actuators. Includes a check fire detection and activation system. Complete with 20 lb (9 kg) fire extinguisher.

WHEEL CHOCK OPTIONS

● No Wheel Chocks



▲ Wheel Chocks - aluminum

Complete with holder

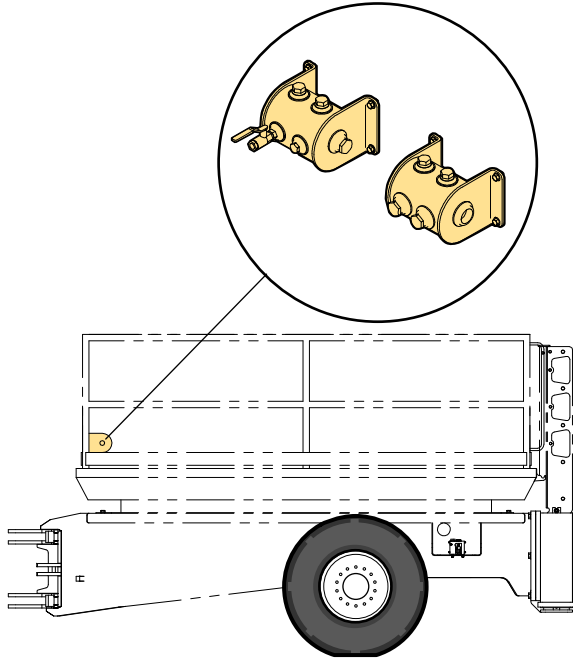
AIR AND WATER MANIFOLD OPTIONS

- Standard
- ▲ Optional

● No Air and Water Manifold

▲ Air and Water Manifold Option

Air and water manifold mounted to scissor deck

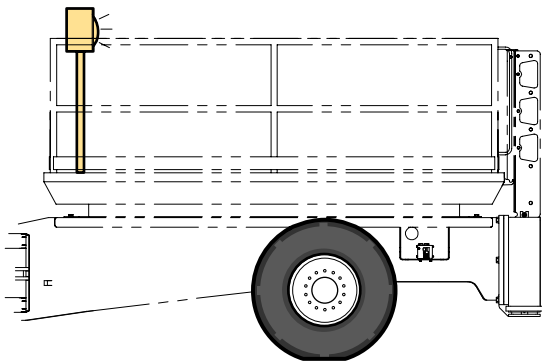


TELESCOPIC WORK LIGHT OPTIONS

● No Telescopic Work Lights

▲ Telescopic Work Lights Option

Qty 2 telescopic work lights mounted to scissor deck
24 volt/70 watt halogen

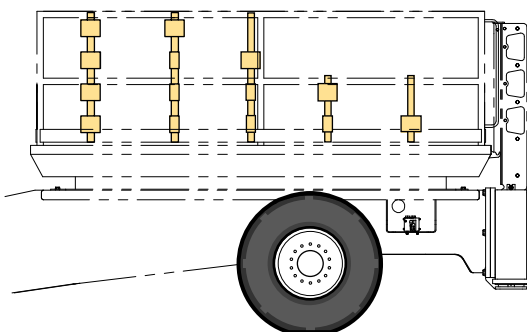


DRILL STEEL RACK OPTIONS

● No Drill Steel Rack

▲ Drill Steel Rack Option

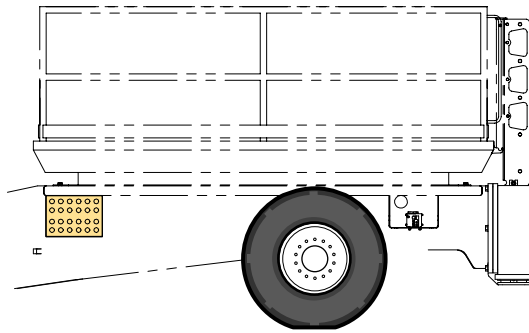
Steel racks along one side. Mounted to scissor platform handrails to transport drill steel



MANUAL LUBE OPTIONS

- Standard
- ▲ Optional

● No Manual Lube System

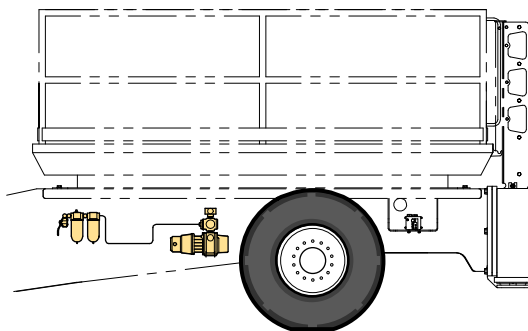


▲ Manual Lube System Option

Strategically placed, easily accessible grease manifolds for lubricating all scissor lift cylinder and pin pivot points

AIR/HYDRAULIC POWER PACK OPTIONS

● No Air/hydraulic Power Pack



▲ Air/hydraulic Power Pack Option

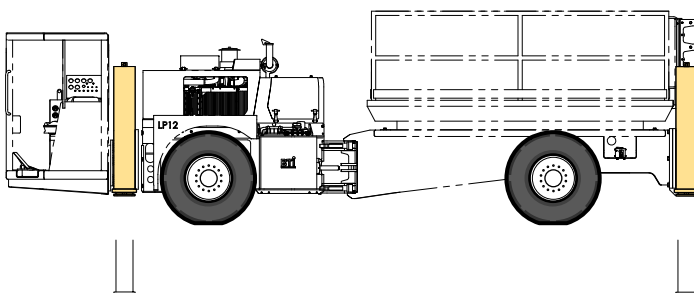
Air/hydraulic power pack installed on vehicle c/w remote on/off pilot valve located on scissor deck

STABILIZER OPTIONS

● No Stabilizers

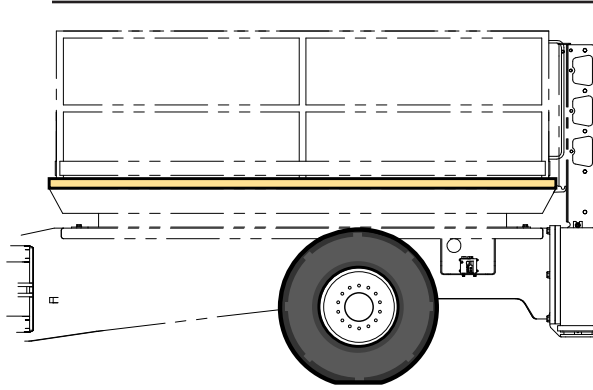
▲ 46 in (1.2 m) Stabilizers

Four tube in tube stabilizers; 2 on engine-end and 2 on scissor platform end of vehicle.



WOOD LINED DECK OPTION

- **Anti-Slip Deck Material - No Wood Lining**



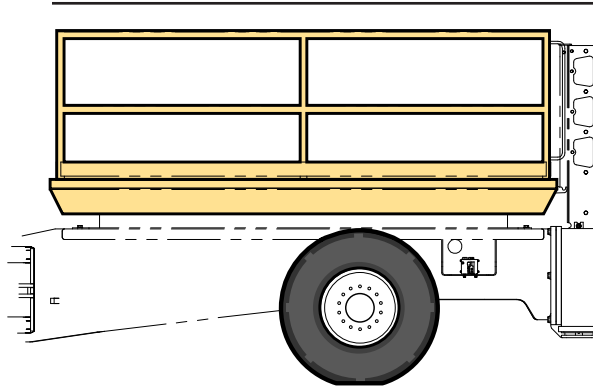
- ▲ **Scissorlift Wood Lined Deck**

3" (76mm) hardwood deck installed on scissor deck

Note: This option decreases the scissor platform capacity by 1,000 lbs (454 kg)

SCISSORLIFT CERTIFICATION OPTIONS

- **No Scissorlift Certification**



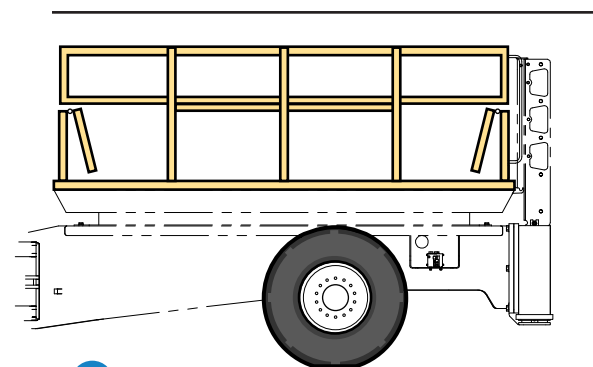
- ▲ **Scissorlift Certification**

Scissorlift certified to CSA Lifting Standard C225-00 for Vehicle Mounted Aerial Devices.

HANDRAIL OPTIONS

- **Fixed Handrails**

3'-6" (1.1 m) high solid tubular steel handrails, with 6" (152 mm) steel kickplate at bottom edge



- ▲ **Folding Handrails**

3'-6" (1.1 m) high solid tubular steel handrails folding at 2'-0" (610 mm), with 6" (152 mm) steel kickplate at bottom edge



10462-ENG-1009

All dimensions and specifications are subject to change without notice.